

made  
in  
Germany

COMING IN SPRING 2022

SHALLOW-DIP-TECHNOLOGY + CONTACT HEAT

### TEPPANYAKI GRILL TABLE TOP SPECIFICATIONS

Size: 31-1/2" square | 80 x 80 cm x 16 mm H  
~330 square inches HOT SPOT  
Total cooking area ~510 sq/in incl. warming  
INDOOR + OUTDOOR USE | IPX4 RATED

Cooktop Material: Professional Food Grade Best Alloy German Stainless Steel type 304 (V2A) 5/32" thick (4 mm | 8 gauge) cold pressed, hand-welded + hand-finished; Silk-brushed.

Power: 1800 Watt | 1.8 kWh on high  
Electric: 120V | 50-60 Hz | 20 AMP  
ProStyle 2250 Watt | 240V | 10 AMP

Analog temperature control:  
1-10 dial | 2 indicator lights | thermostat  
**Contact Heat:** ~130°F to ~450°F (55°-230°C)

**5 Year Limited Manufacturer Warranty** on Material + Craftsmanship. Up to **3 Year limited manufacturer Warranty** with online registration parts & labor. VDE issued European Safety Approval. Electrical + Electronic Components: UL approved. 

### HEIGHT-ADJUSTABLE TABLE FRAME

1.5" x 1.5" profile | 40 x 40 mm  
Powder Coated, Anthracite (dark grey)

Adjustable from dining to bar height:  
30" to 39-3/8" height  
76 cm - 100 cm height  
in 4 increments

Ship weight ~100 lbs | ship size 41" x 40" x 6"  
Ship weight ~ 45 kg | ship size 104 x 102 x 14 cm



- 1 TRESPA with MO60 TEPPAN GRILL TOP
  - 2 TEMPERATURE CONTROL
  - 3 4 INVISIBLE MOUNTS FOR TABLE TOP
  - 4 HEIGHT ADJUSTMENT MECHANISM
  - 5 4 LOCKING CASTERS/WHEELS
- POWER CORD, 10 ft. included



Shown accessories not included.

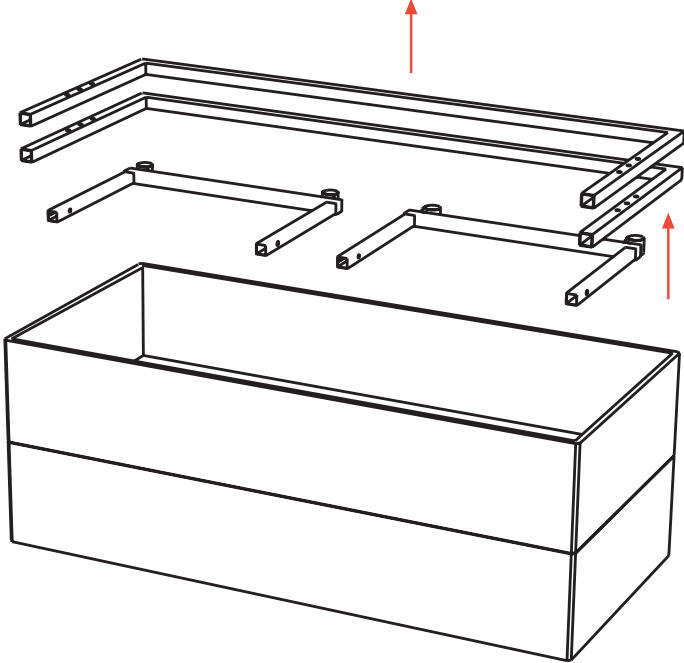
The manufacturer reserves the right to update, change, alter or discontinue any model without notice.



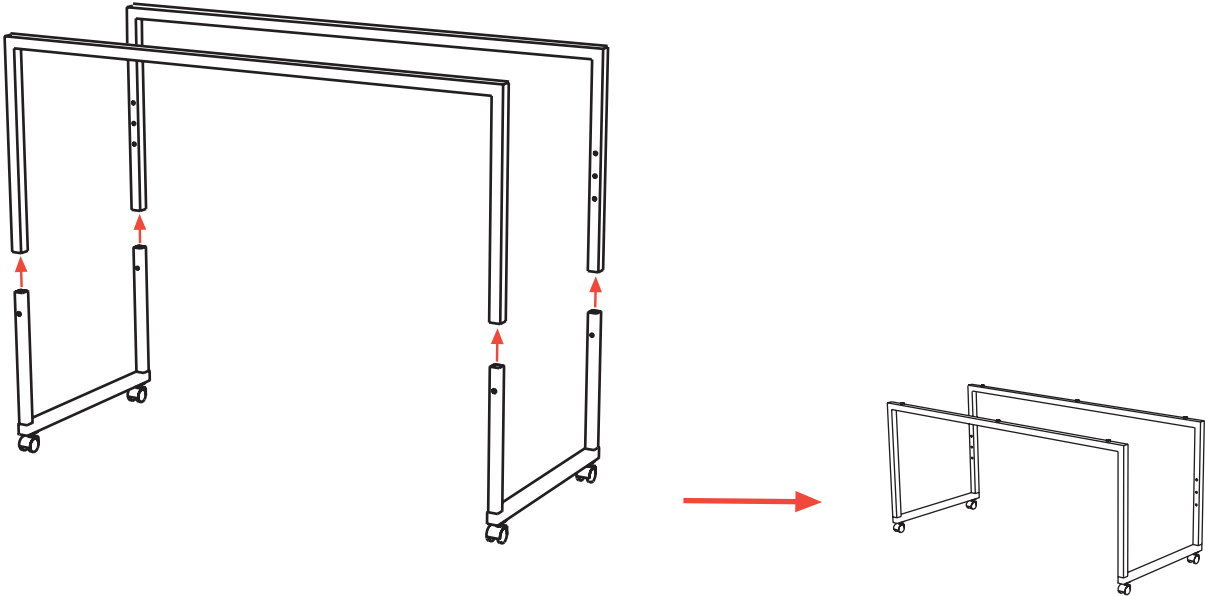
Stainless steel production uses 60-80% recycled raw material

# STAGE\_assembly instructions

## 1. Unpacking the goods.



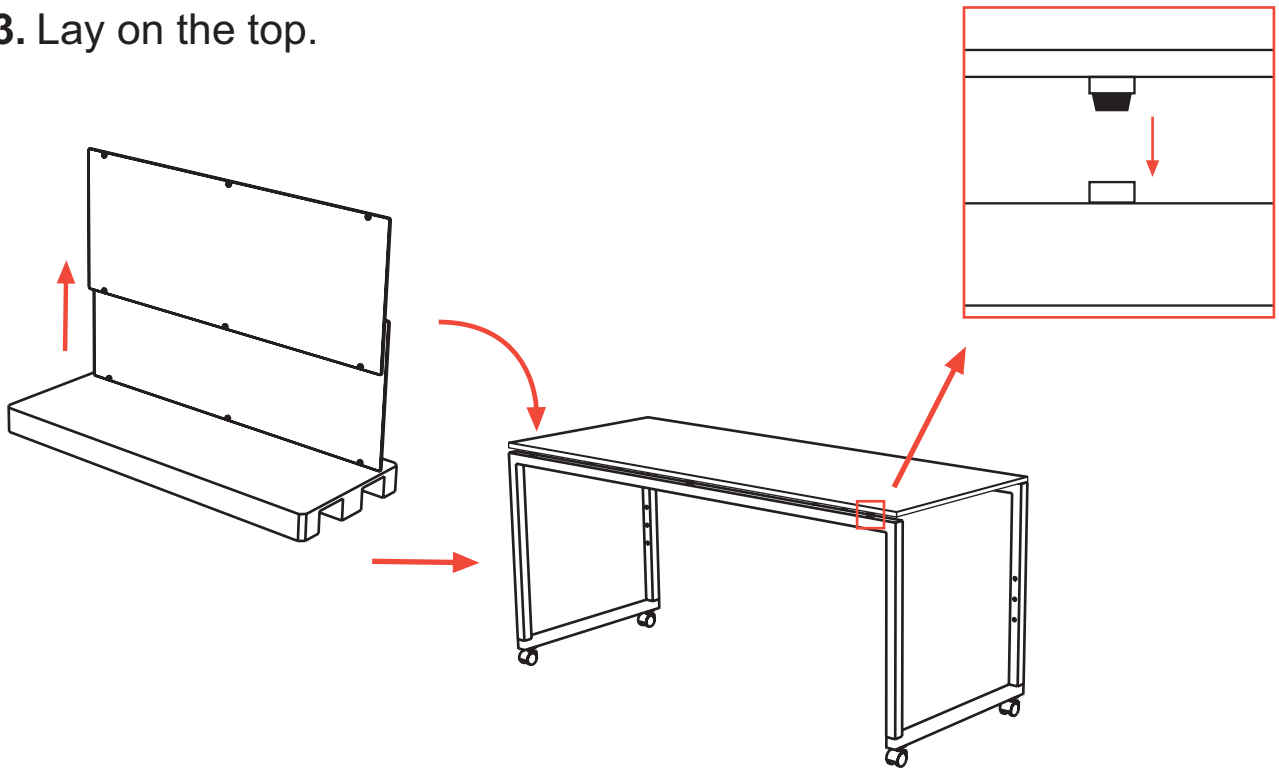
## 2. Plug in the legs and fix it.



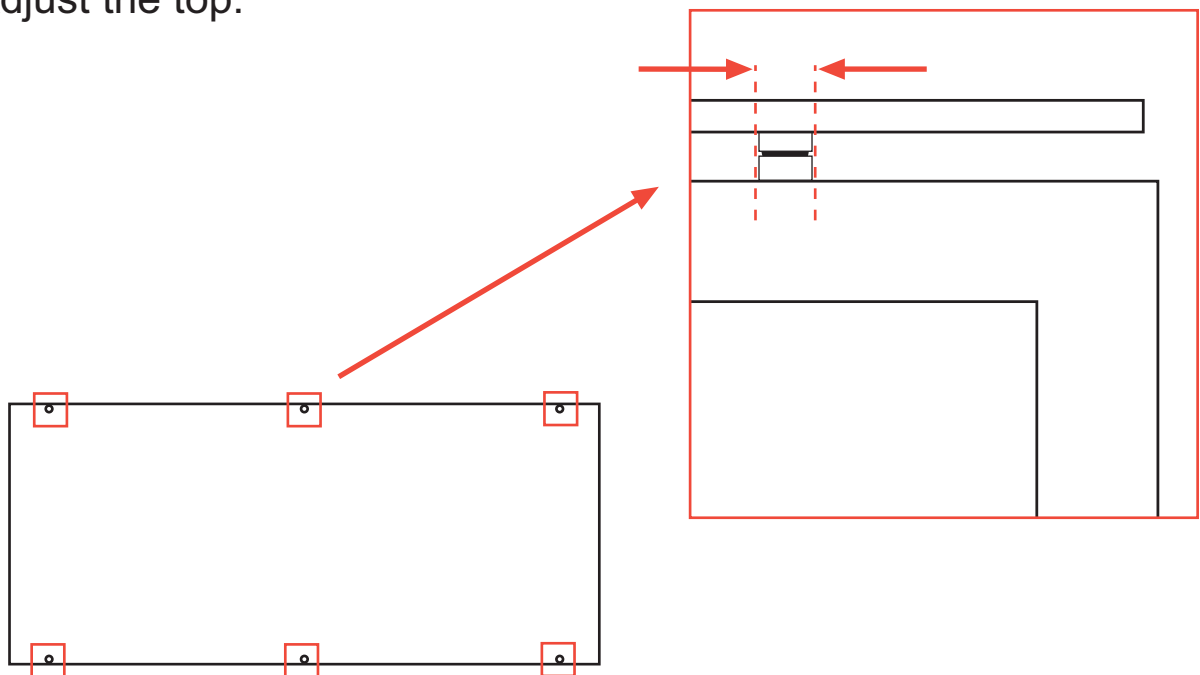
# STAGE\_assembly instructions



## 3. Lay on the top.



## 4. Adjust the top.



**... repeat the same steps for the other tables.**